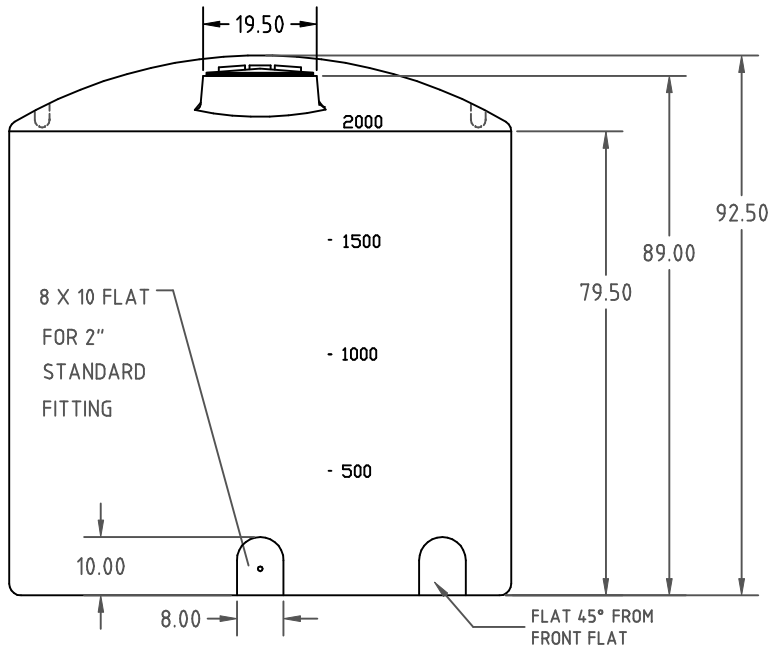
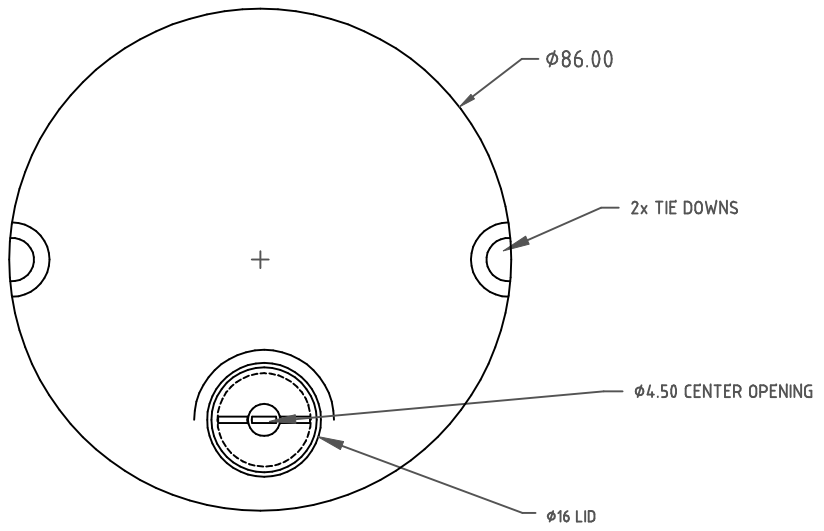


Copyright. All information furnished within this document, electronic file or design correspondence is the property of Den Hartog industries, Inc. and shall not be used, disclosed to others or copied without the expressed written consent of Den Hartog Industries, Inc.



				DRAWN / DATE DHJ 10/20/08	MATERIAL 10420
				APPRD. / DATE REH 10/31/08	
REV	DESCRIPTION	BY / DATE	CCN		
ALL DIMENSIONS ARE IN DECIMAL INCHES TOLERANCES UNLESS OTHERWISE SPECIFIED				SHOT WEIGHT: 400 LBS.	NOTES: 1. .37 WALL AT FITTING
POLYETHYLENE				SHIPPING WEIGHT: 402 LBS.	
METAL DECIMAL $\pm .125"$ FRACTION $\pm 1/4"$ ANGLE $\pm 1^\circ$				FINISH:	
$\pm 1\%$ @ 68° F		THIRD ANGLE PROJECTION ANSI 14.5M			



Den Hartog
 INDUSTRIES, INC.
 Ace Roto-Mold Injection Molding Blow Molding Sow Joy
 4010 HOSPERS DRIVE S. BOX 425, HOSPERS, IOWA 51238-0421

DESCRIPTION 2050 GALLON VERTICAL TANK	
SCALE N.S.	PART NO. VT2050-86